

# J-PLUG FIXIE

High security. Sleek design



# SECURE. BY DESIGN.

With J-Plug Fixie, our goal was to create a device that's incredibly secure, yet visually minimal never getting in the way of your customers.



ARM LOCK



AUDIO LOCK



## STRONG. CLEAN SET-UP

High security at no expense to usability, thanks to hardware and software that work seamlessly together. Fixie makes it easy to securely swap out products with our proprietary security tool.



ARM LOCK



AUDIO LOCK



## INTEGRATED BATTERY

Fixie has been designed with a built-in rechargeable battery. Stay secured even in a temporary power outage.



## SIMPLY SECURE

The new Intelligent J-Plug key system has interchangeable unique key code protection. Remove the time and costs associated with key stations, charging and programming.



## SWITCH

Fixie shares the same metal base as our Tab stand.  
Switching from one solution to another, doesn't require any changes to the fixture.



BASE

TAB STAND

FIXIE



# EASY INSTALLATION

Install in seconds, above or below counter.  
Display your products on-counter or wall mounted at the perfect angle.



TABLE



WALL




## FRONT LINE DEFENCE

The most versatile fixed solution, compatible with any smartphone or tablet.  
Perfect for any high security retail environment.

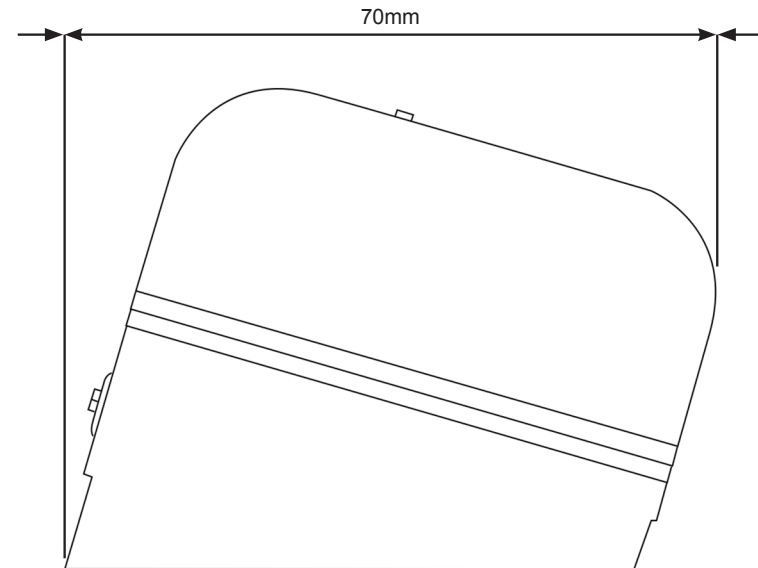
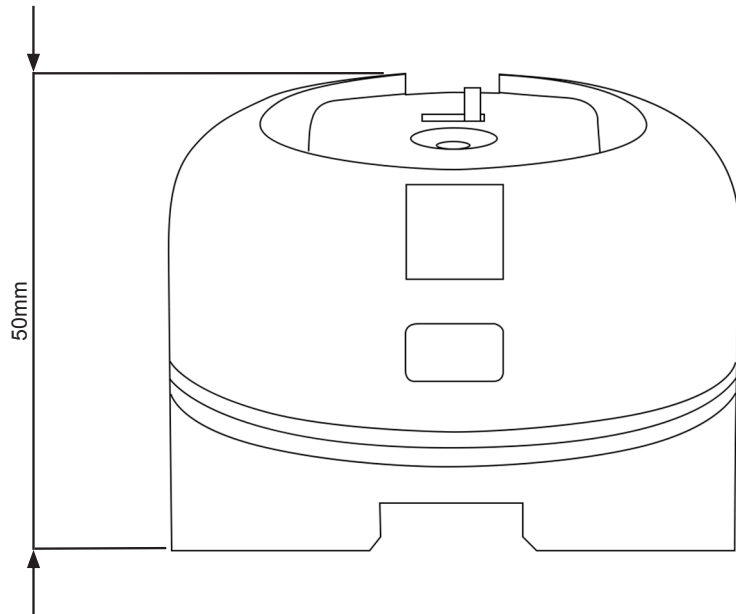


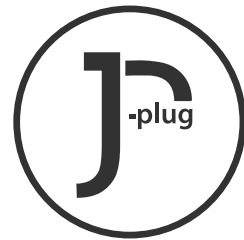


PRODUCT	WIDTH	HEIGHT	LENGTH
	60mm	55mm	65mm

PACKAGING	WIDTH	HEIGHT	DEPTH
	90mm	90mm	90mm

CHARGING SPECIFICATION	
Cable Type	Amps
Standard	Up to 1.5





**SALES  
ENQUIRIES**

Telephone: +44 (0) 20 8541 5671  
Email: [sales@multplx.com](mailto:sales@multplx.com)

**GENERAL  
ENQUIRIES**

Telephone: +44 (0) 20 8549 4878  
Email: [info@multplx.com](mailto:info@multplx.com)

